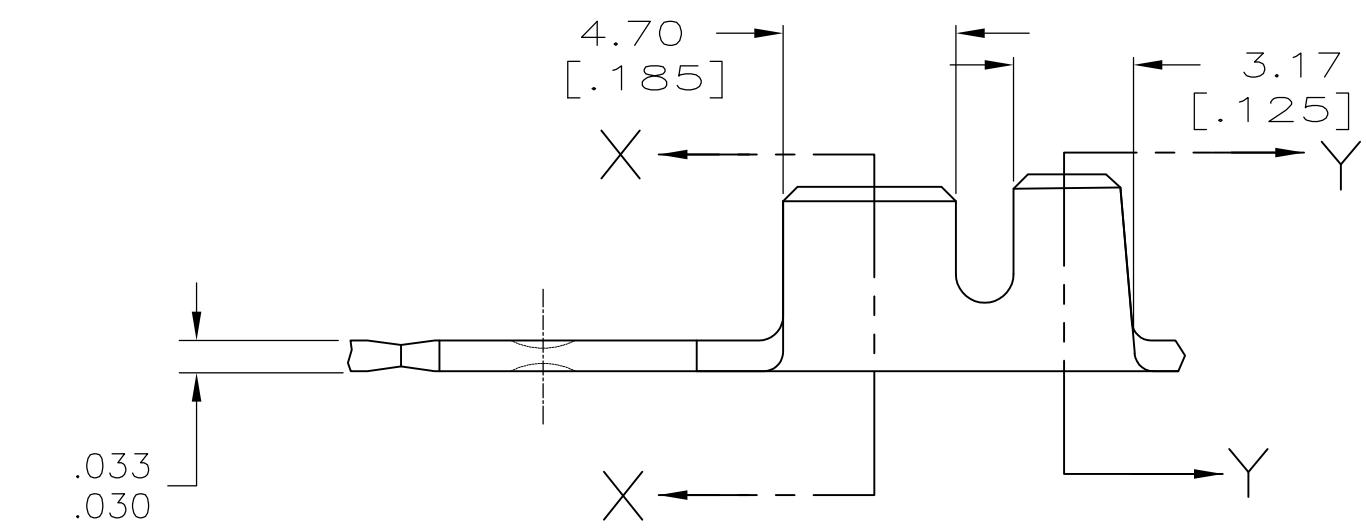
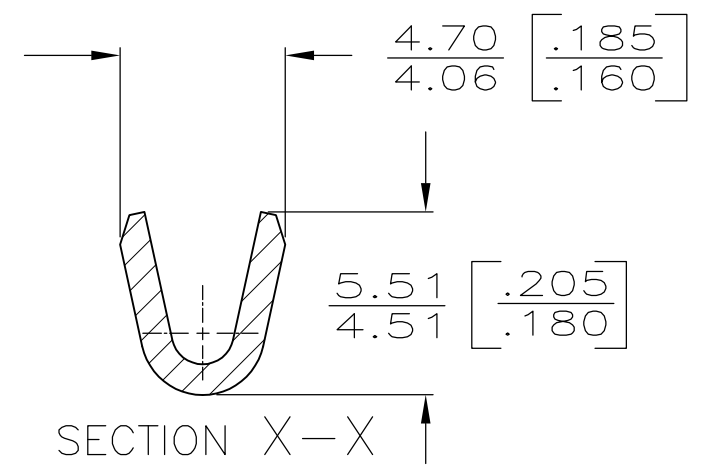
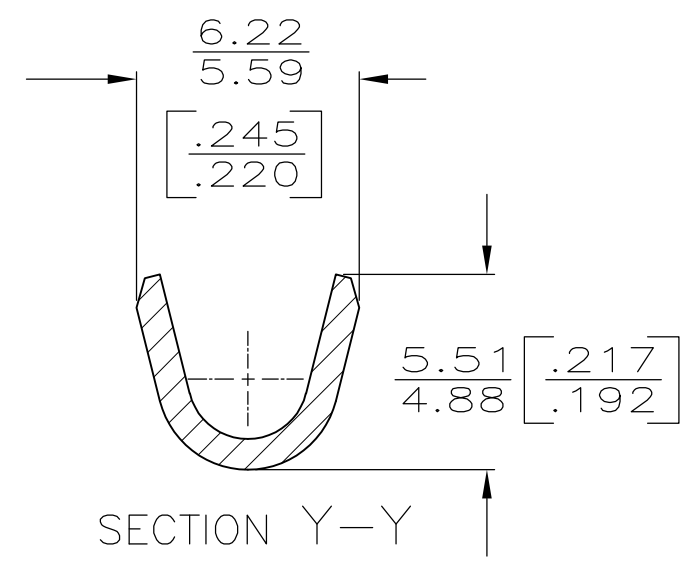
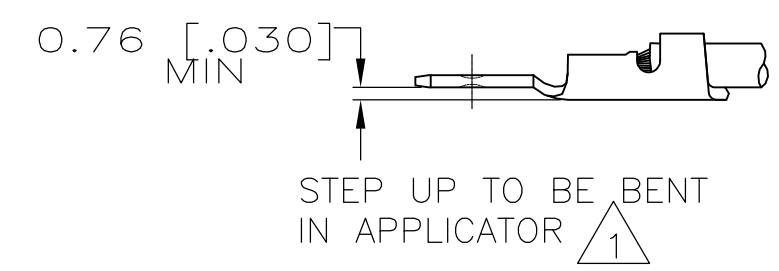
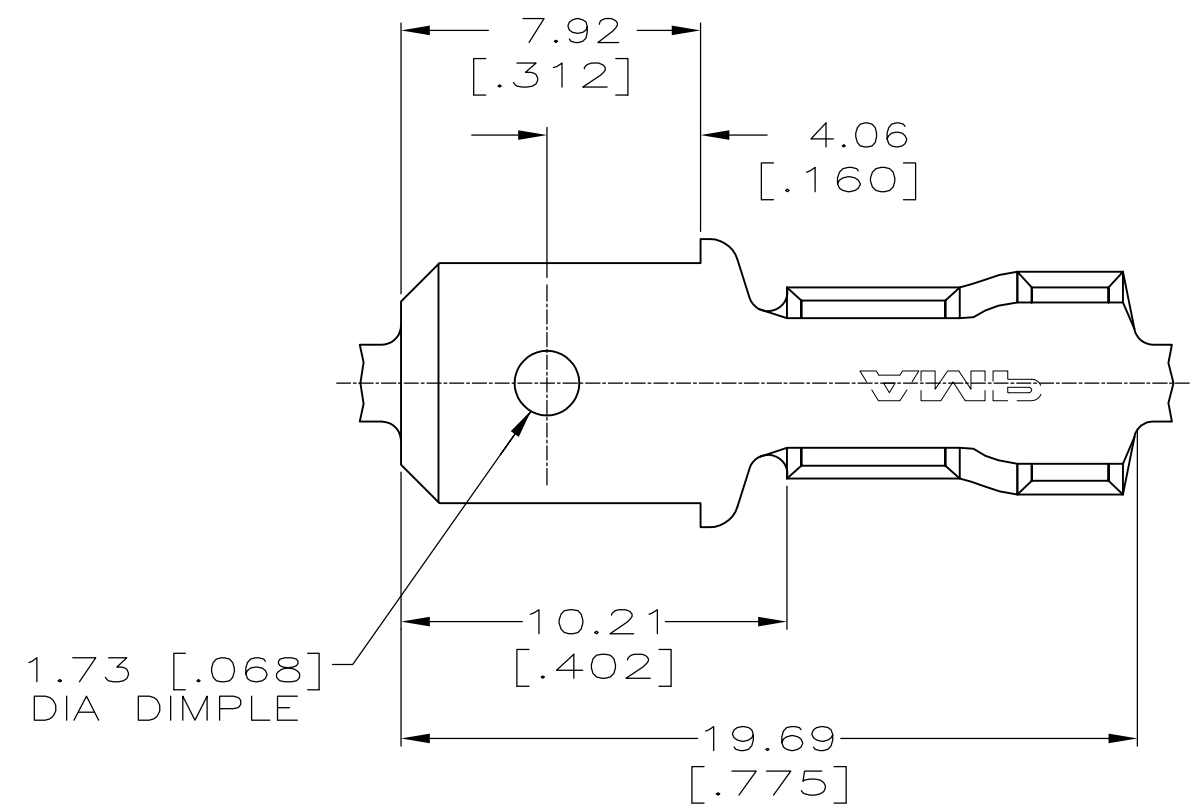


THIS DRAWING IS UNPUBLISHED. RELEASED FOR PUBLICATION
 © COPYRIGHT - By - ALL RIGHTS RESERVED.

LOC	DIST	REVISIONS			
P	LTR	DESCRIPTION	DATE	DWN	APVD
AF	50	P			
		P	REVISED PER ECR-13-011489	10DEC2013	KH PD

- 1 SUFFIX LETTER MUST BE USED ONLY WHEN ORDERING APPLICATOR TOOLING FOR STEPPED UP VERSION.
- 2 CONTINUOUS STRIP ON REELS.
- 3 FOREIGN PRODUCTION ONLY.
- 4 WIRE SIZE IS 0.8-2.0mm², [18-14] AWG.
- 5 INSULATION RANGE IS 3.05-4.32 [.120-.170] DIA.



OBSOLETE	SILVER	41411-1-3
41411 B	-	41411
TERMINAL NUMBER STEPPED UP	FINISH	PART NO.

THIS DRAWING IS A CONTROLLED DOCUMENT.		DWN	JR RUTH	2/5/92	TE Connectivity TAB, FASTON, 6.35 [.250] SERIES								
DIMENSIONS: mm [INCHES]		CHK	MS FEHER	2/5/92									
TOLERANCES UNLESS OTHERWISE SPECIFIED:		APVD	D REINER	1/5/92									
0 PLC ± - 1 PLC ± - 2 PLC ± - 3 PLC ± 0.38 [.015] 4 PLC ± - ANGLES ± -		PRODUCT SPEC	-	NAME									
MATERIAL	BRASS	FINISH	SEE TABLE	APPLICATION SPEC	-	SIZE	A3	CAGE CODE	00779	DRAWING NO	C-41411	RESTRICTED TO	-
CUSTOMER DRAWING					WEIGHT	-	SCALE	5:1	SHEET	1 OF 1	REV	P	